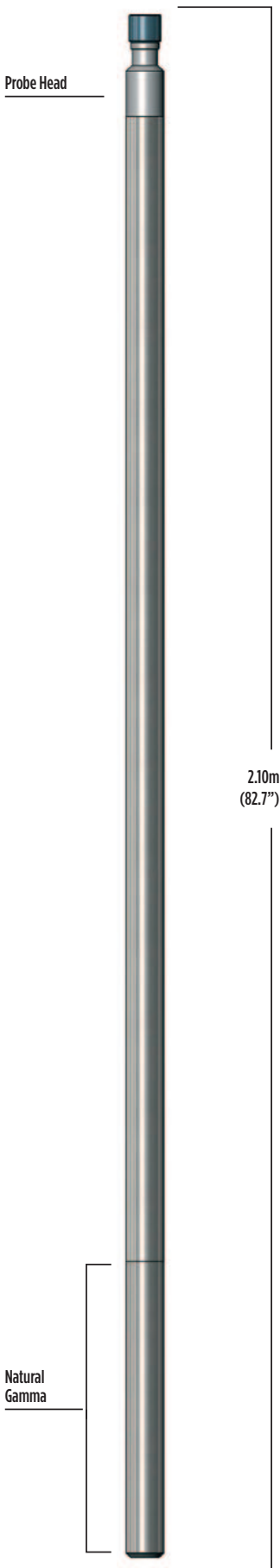


PROBES

NATURAL GAMMA [TRIPLE GAMMA & ULTRA-SLIM GAMMA]



The Triple Gamma and Ultra-Slim Gamma probes measure the activities of naturally occurring or man-made isotopes.

Principle of Measurement:

The probes are based on scintillation gamma detectors. The detectors measure the natural gamma radiation released from potassium and the decay products of uranium and thorium in the borehole.

SPECIFICATION:

Features

- Small diameter for slim-hole operations
- Multiple detectors with different sensitivities

Measurements

Natural Gamma

Applications

- Mineral detection
- Strata correlation between wells

Operating Conditions

- Borehole type: open/cased, water/air-filled
- Recommended Logging Speed: 4m/min (slower in low gamma lithology)

Specifications

Triple Gamma Probe

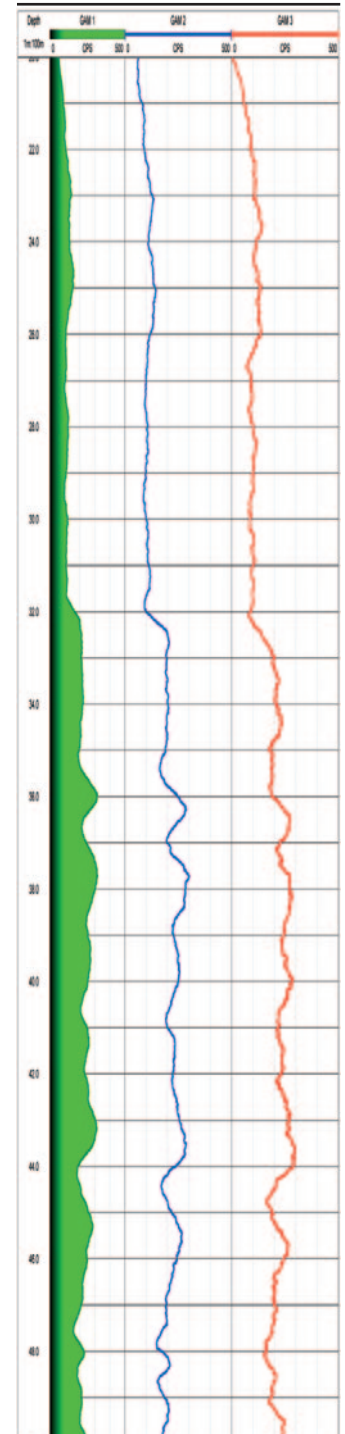
- Diameter: 38mm
- Length: 2.10m
- Weight: 6kg
- Natural-gamma detectors: 25mm x 25mm NaI(Tl)
50mm x 25mm
100mm x 25mm
- Temperature: 0-70°C (extended ranges available)
- Max. pressure: 20MPa

Ultra-Slim Gamma Probe

- Diameter: 27mm
- Length: 0.79m
- Weight: 4kg
- Natural-gamma detectors: 125mm x 17.5mm Cs(Tl)
- Temperature: 0-70°C (extended ranges available)
- Max. pressure: 10MPa

Part Numbers

- 1002009 Triple Gamma probe
- 1002007 Ultra-Slim Gamma probe



Example of logging data

[▶ CLICK HERE FOR ENQUIRY FORM](#)