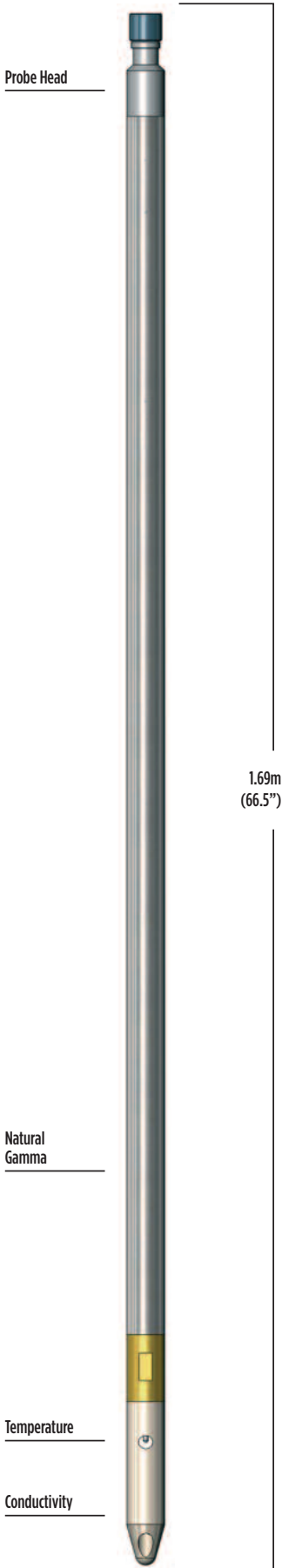


PROBES

TEMPERATURE CONDUCTIVITY



This probe combination provides a continuous, depth-based measurement of fluid temperature and conductivity.

Both parameters can be output in absolute and in differential forms. A natural gamma detector is included for correlation purposes.

Principle of Measurement:

The temperature and conductivity sensors are located in an insulated housing at the base of the probe. During logging, borehole fluid flows freely through ports on the side and base of this housing and over the sensors. The log is recorded downwards while running into the hole to minimise fluid disturbance.

SPECIFICATION:

Features

- Stable, high-quality, semiconductor temperature sensor
- Graphite conductivity electrodes resist corrosion and are easily cleaned

Measurements

- Fluid temperature/differential temperature
- Fluid conductivity/differential conductivity
- Natural Gamma

Applications

Water

- Fluid salinity
- Location of zones of different water quality
- Water-well monitoring
- Identification of zones of in-flow/out-flow
- Temperature gradient
- Water-level determination
- Location of grout behind casing
- Temperature compensation of other logs

Operating Conditions

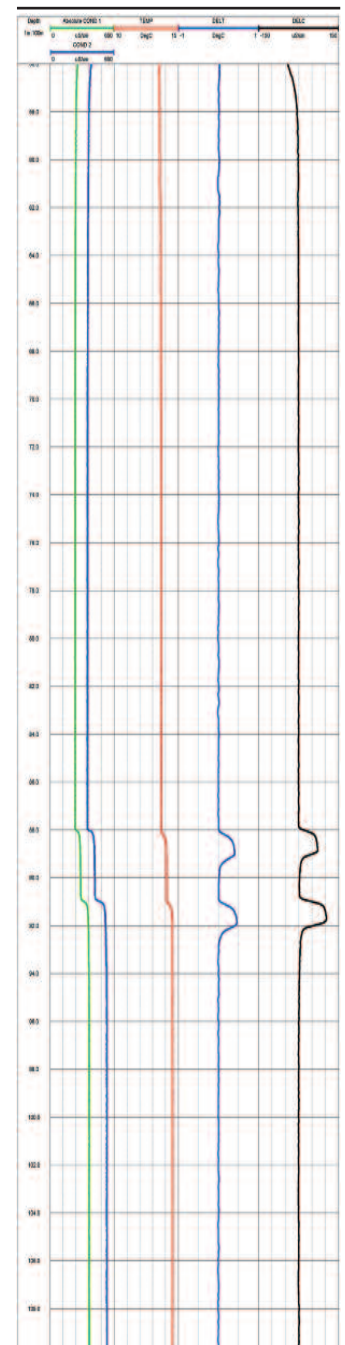
- Borehole type: open/cased holes, water-filled
- Recommended Logging Speed: 5m/min

Specifications

- Diameter: 38mm
- Length: 1.69m
- Weight: 4.5kg
- Temperature: 0-70°C (extended ranges available)
- Max. pressure: 20MPa
- Temp. range: 0-70°C (extended ranges available)
- Conductivity range: 50 to 50,000 $\mu\text{S} / \text{cm}$

Part Numbers

- 1002055 Temperature Conductivity probe with gamma



Examples of logging data

Scan the QR code to go directly to www.robertson-geo.com



Temperature Conductivity Probe